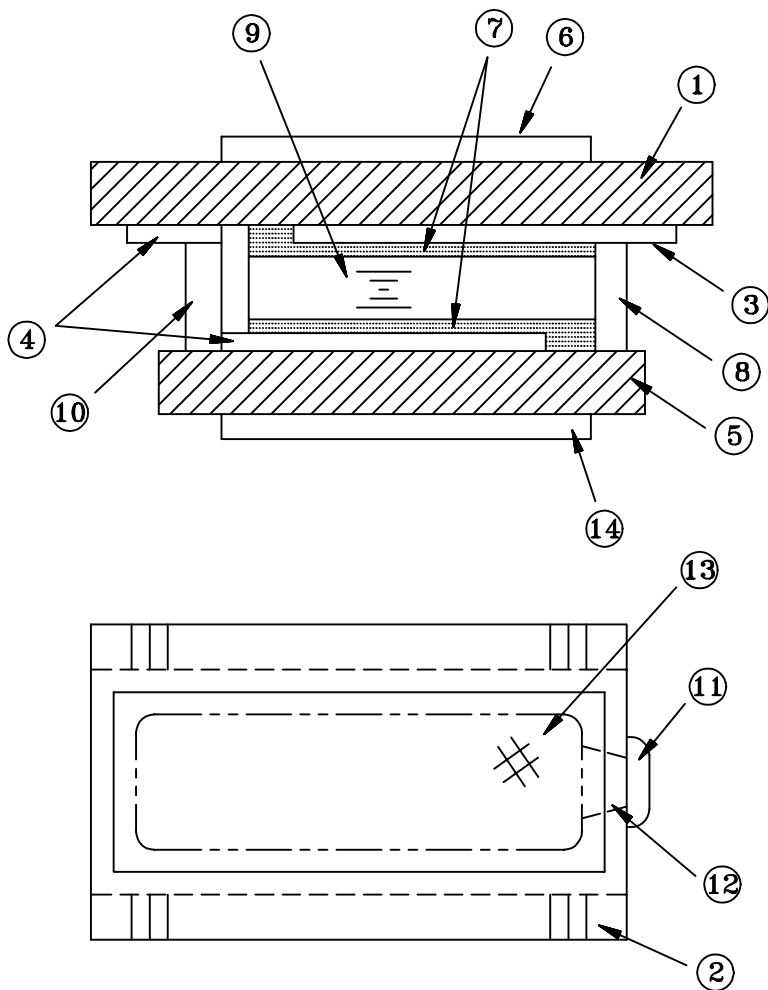


LCD Construction and Nomenclature



- ① F substrate(glass)
- ② Terminal
- ③ Segment electrode
- ④ Common electrode
- ⑤ B substrate(glass)
- ⑥ Upper polarizing plate
- ⑦ Orientation layer
- ⑧ Sealant
- ⑨ LC(liquid crystal)
- ⑩ Conducting material
- ⑪ Sealant
- ⑫ Inlet
- ⑬ Viewing Area
- ⑭ Lower polarizing plate, or lower polarizing plate and reflecting plate

How Products are Named

K	2	3	4	5	6	7	8	9	10	11
K E C	X: PANEL	TN MODE:N STN MODE BLUE COLOR:B GRAY COLOR:G BLACK & WHITE:W YELLOW COLOR:Y	(0000~9999) MODEL NUMBER			(0~9) CHANGE NUMBER	A: NORMAL NO PIN B: NORMAL PIN C: REVERSE NO PIN D: REVERSE PIN		VIEWING DIRECTION A: 12:00 B: 1:30 C: 3:00 D: 4:30 E: 6:00 F: 7:30 G: 9:00 H: 10:30 S: SPECIAL	P: POSITIVE N: NEGATIVE B: BLACK MASK