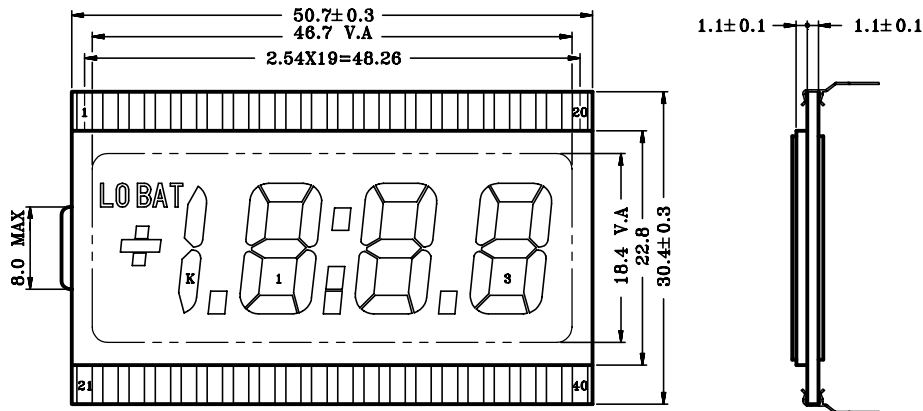


Standard Displays

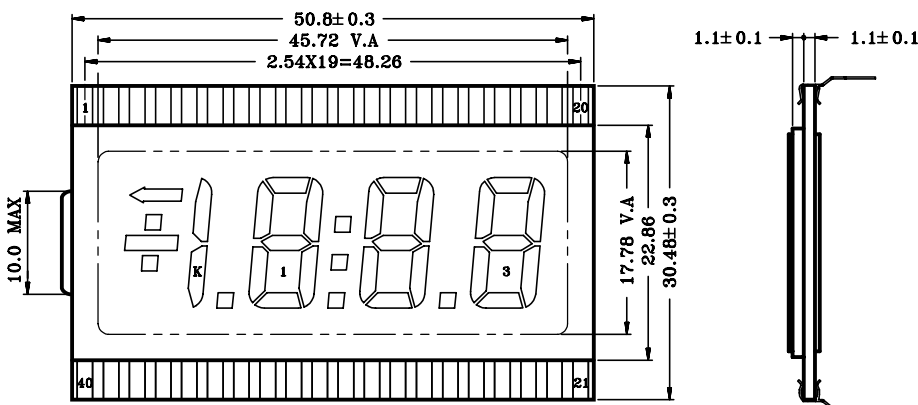
General Purpose, Instrument

KXN13021



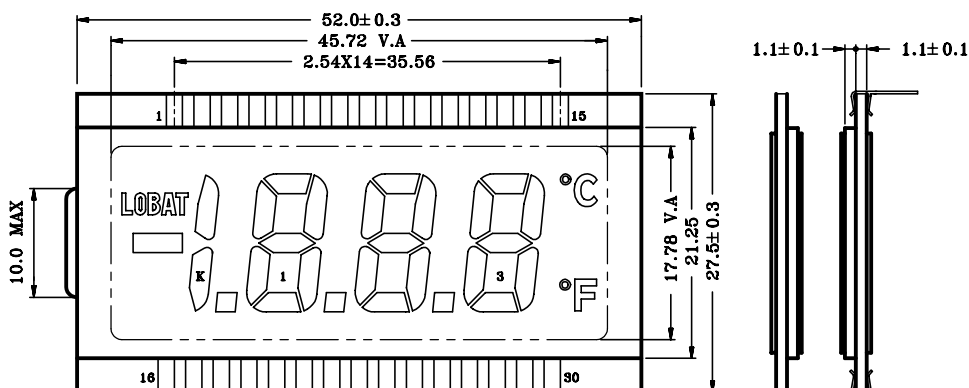
PIN NO.	SEGMENT	PIN NO.	SEGMENT
1	COM	21	COM
2	X	22	Y
3	LOBAT	23	K
4	-	24	-
5	-	25	-
6	-	26	-
7	-	27	-
8	-	28	P1
9	1G	29	1E
10	1F	30	1D
11	1A	31	1C
12	1B	32	P2
13	COL	33	2E
14	2G	34	2D
15	2F	35	2C
16	2A	36	P3
17	2B	37	3E
18	3G	38	3D
19	3F	39	3C
20	3A	40	3B

KXN13030



PIN NO.	SEGMENT	PIN NO.	SEGMENT
1	COM	21	3B
2	H	22	3C
3	J	23	3D
4	-	24	3E
5	-	25	P3
6	-	26	2C
7	-	27	2D
8	-	28	2E
9	1G	29	P2
10	1F	30	1C
11	1A	31	1D
12	1B	32	1E
13	COL	33	P1
14	2G	34	-
15	2F	35	-
16	2A	36	-
17	2B	37	-
18	3G	38	K
19	3F	39	Y
20	3A	40	COM

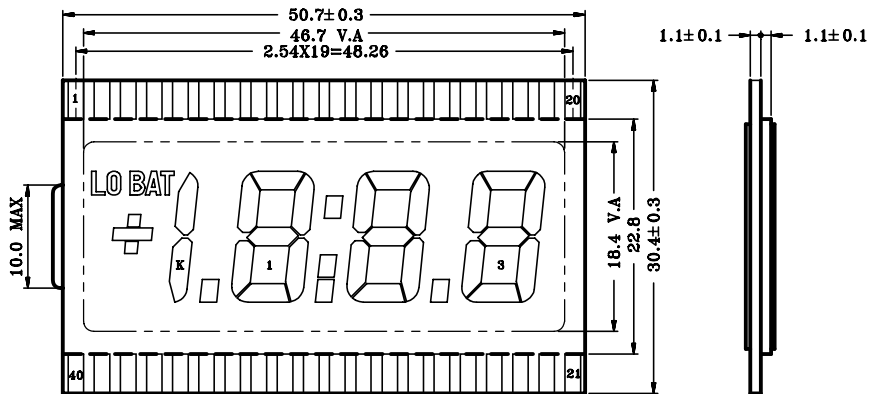
KXN13040,13041



PIN NO.	SEGMENT	PIN NO.	SEGMENT
1	COM	16	-
2	LOBAT	17	K
3	1G	18	P1
4	1F	19	1E
5	1A	20	1D
6	1B	21	1C
7	2G	22	P2
8	2F	23	2E
9	2A	24	2D
10	2B	25	2C
11	3G	26	P3
12	3F	27	3E
13	3A	28	3D
14	3B	29	3C
15	°C	30	°F

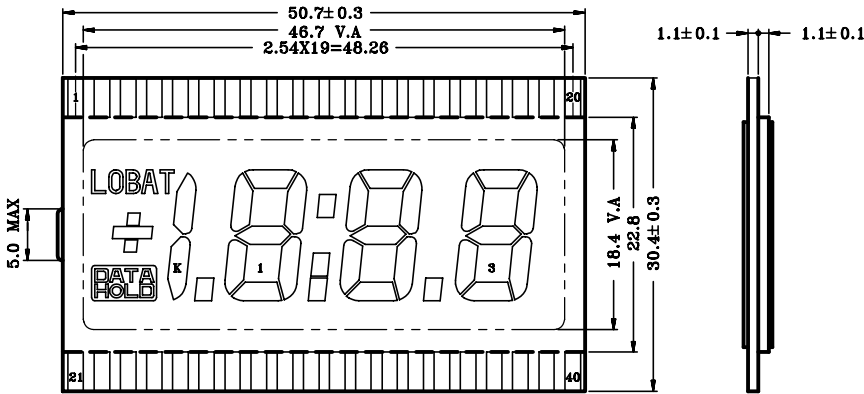
Standard Displays

KXN13050



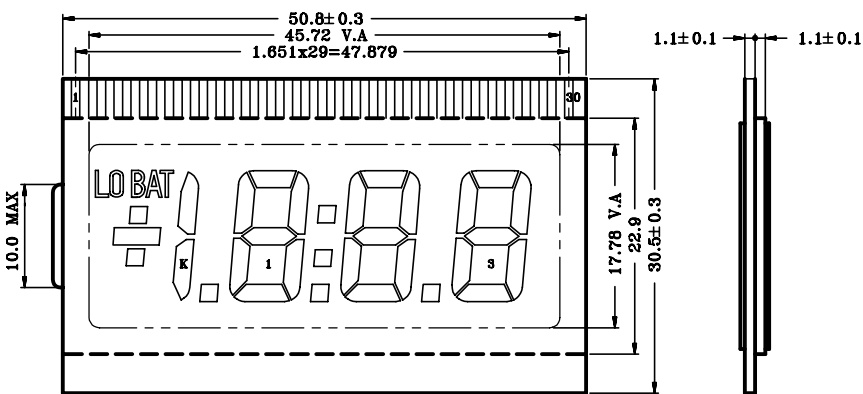
PIN NO.	SEGMENT	PIN NO.	SEGMENT
1	COM	21	3B
2	X	22	3C
3	LOBAT	23	3D
4	-	24	3E
5	-	25	3F
6	-	26	2C
7	-	27	2D
8	-	28	2E
9	1G	29	P2
10	1F	30	1C
11	1A	31	1D
12	1B	32	1E
13	P4	33	P1
14	2G	34	-
15	2F	35	-
16	2A	36	-
17	2B	37	-
18	3G	38	K
19	3F	39	Y
20	3A	40	COM

KXN13060



PIN NO.	SEGMENT	PIN NO.	SEGMENT
1	COM	21	COM
2	X	22	Y
3	LOBAT	23	K
4	-	24	DATAHOLD
5	-	25	-
6	-	26	-
7	-	27	-
8	-	28	P1
9	1G	29	1E
10	1F	30	1D
11	1A	31	1C
12	1B	32	P2
13	COL	33	2E
14	2G	34	2D
15	2F	35	2C
16	2A	36	P3
17	2B	37	3E
18	3G	38	3D
19	3F	39	3C
20	3A	40	3B

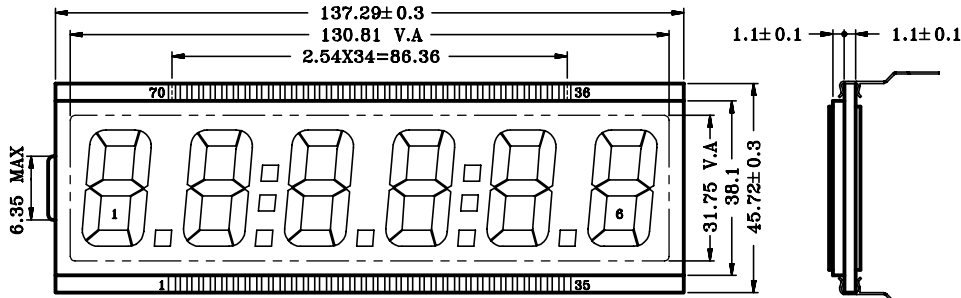
KXN13070



PIN NO.	SEGMENT	PIN NO.	SEGMENT
1	COM	16	2E
2	-	17	2G
3	LOBAT	18	2F
4	X	19	2A
5	K	20	2B
6	P1	21	2C
7	1E	22	2D
8	1G	23	P3
9	1F	24	3E
10	1A	25	3G
11	P1	26	3F
12	1C	27	3A
13	1D	28	3B
14	P2	29	3C
15	COL	30	3D

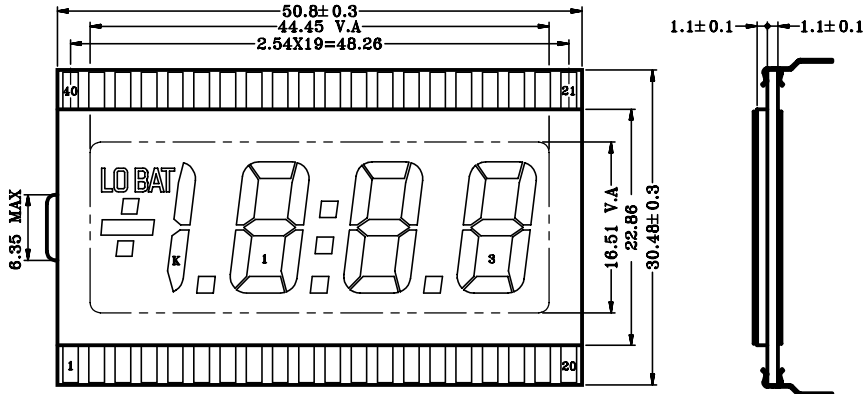
Standard Displays

KXN13100



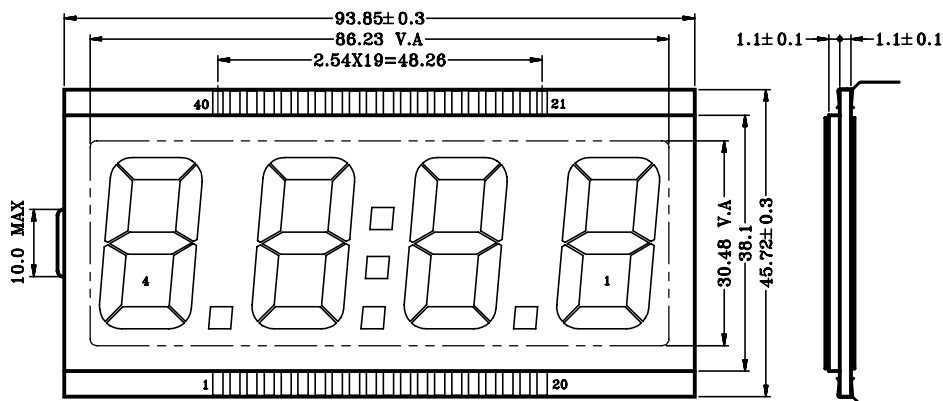
NO.	SEG	NO.	SEG	NO.	SEG	NO.	SEG
1	COM	19	4E	37	6A	55	3B
2	1E	20	4D	38	6F	56	.
3	1D	21	.	39	6C	57	.
4	1C	22	.	40	5B	58	3A
5	P1	23	.	41	5A	59	3F
6	2E	24	4C	42	5F	60	3G
7	2D	25	.	43	5G	61	COL1
8	2C	26	P4	44	COL2	62	2B
9	P2	27	5E	45	.	63	2A
10	3E	28	5D	46	4B	64	2F
11	3D	29	.	47	.	65	2G
12	.	30	.	48	.	66	1B
13	.	31	5C	49	.	67	1A
14	.	32	P5	50	4A	68	1F
15	.	33	6E	51	4F	69	1G
16	3C	34	6D	52	4G	70	COM
17	.	35	6C	53	.	.	.
18	P3	36	6B	54	.	.	.

KXN13121



PIN NO.	SEGMENT	PIN NO.	SEGMENT
1	COM	21	3A
2	J	22	3F
3	K	23	3G
4	.	24	2B
5	.	25	2A
6	.	26	2F
7	.	27	2G
8	P1	28	COL
9	1E	29	1B
10	1D	30	1A
11	1C	31	1F
12	P2	32	1G
13	2E	33	.
14	2D	34	.
15	2C	35	.
16	P3	36	.
17	3E	37	.
18	3D	38	LOBAT
19	3C	39	S
20	3B	40	COM

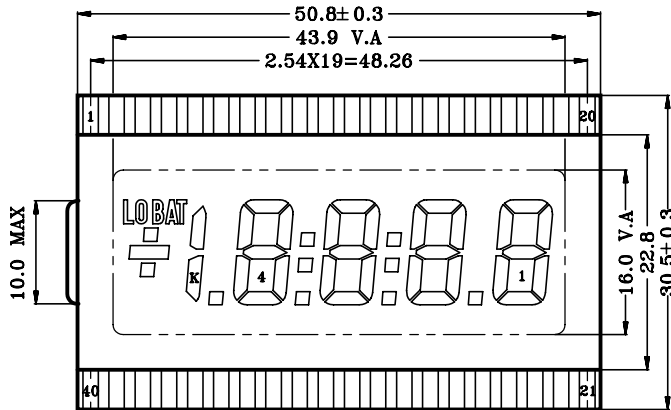
KXN13190



PIN NO.	SEGMENT	PIN NO.	SEGMENT
1	COM	21	1A
2	.	22	1F
3	.	23	1G
4	.	24	2B
5	4E	25	2A
6	4D	26	2F
7	4C	27	2G
8	P3	28	COL
9	3E	29	3B
10	3D	30	3A
11	3C	31	3F
12	P2	32	3G
13	2E	33	.
14	2D	34	4B
15	2C	35	4A
16	P1	36	4F
17	1E	37	4G
18	1D	38	.
19	1C	39	.
20	1B	40	.

Standard Displays

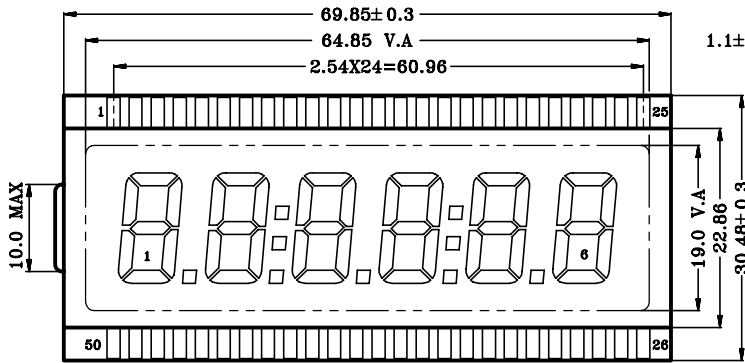
KXN13210



1.1±0.1 1.1±0.1

PIN NO.	SEGMENT	PIN NO.	SEGMENT
1	COM	21	1B
2	S	22	1C
3	LOBAT	23	1D
4	4G	24	1E
5	4F	25	P1
6	4A	26	2C
7	4B	27	2D
8	COL2	28	2E
9	3G	29	P2
10	3F	30	3C
11	3A	31	3D
12	3B	32	3E
13	COL1	33	P3
14	2G	34	4C
15	2F	35	4D
16	2A	36	4E
17	2B	37	P4
18	1G	38	K
19	1F	39	X
20	1A	40	COM

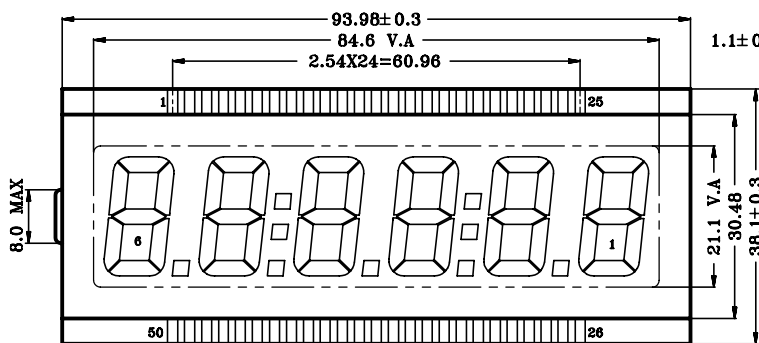
KXN13300



1.1±0.1 1.1±0.1

PIN NO.	SEGMENT	PIN NO.	SEGMENT	PIN NO.	SEGMENT
1	1G	18	COL2	35	4C
2	1F	19	5G	36	4D
3	1A	20	5F	37	4E
4	1B	21	5A	38	P3
5	2G	22	5B	39	3C
6	2F	23	5C	40	3D
7	2A	24	5F	41	3E
8	2B	25	6A	42	P2
9	COL1	26	6B	43	2C
10	3G	27	6C	44	2D
11	3F	28	6D	45	2E
12	3A	29	6E	46	P1
13	3B	30	P5	47	1C
14	4G	31	5C	48	1D
15	4F	32	5D	49	1E
16	4A	33	5E	50	COM
17	4B	34	P4		

KXN13310



1.1±0.1 1.1±0.1

PIN NO.	SEGMENT	PIN NO.	SEGMENT	PIN NO.	SEGMENT
1	6G	18	COL1	35	3C
2	6F	19	2G	36	3D
3	6A	20	2F	37	3E
4	6B	21	2A	38	P3
5	5G	22	2B	39	4C
6	5F	23	1G	40	4D
7	5A	24	1F	41	4E
8	5B	25	1A	42	P4
9	COL2	26	1B	43	5C
10	4G	27	1C	44	5D
11	4F	28	1D	45	5E
12	4A	29	1E	46	5F
13	4B	30	P1	47	6C
14	3G	31	2C	48	6D
15	3F	32	2D	49	6E
16	3A	33	2E	50	COM
17	3B	34	P2		